

References

SCE SystemEngineering GmbH

Your Partner for Simulation



SCE Cirrus 05 on the AirPower 2011

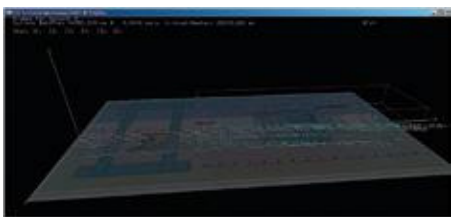
Although the SCE Cirrus 05 can not fly in reality, still it was one of the highlights at the AirPower 2011. And there is absolutely no reason to hide from real aircraft! Visitors have shown great interest in SCE and the army personnel office because the lucky winners of a competition were allowed to take a seat in the SCE Cirrus 05 and fly a special mission under the guidance of an experienced military jet pilot. Because each flight is supported in real time with video and audio, the Cirrus pilot receives a very good first impression of the sophisticated tasks of a military pilot. The 3-axis system



of the simulator allows movements in all directions, so that changes in altitude, thrust, or flying a role almost feel like the real aircraft. After a successful completion of the mission the lucky winner got a personal photo from the flight as souvenir. And who knows, maybe there was one or the other future jet – pilot amongst the participants.

The Vision Robot – automation of Pick'n Place of bulk material

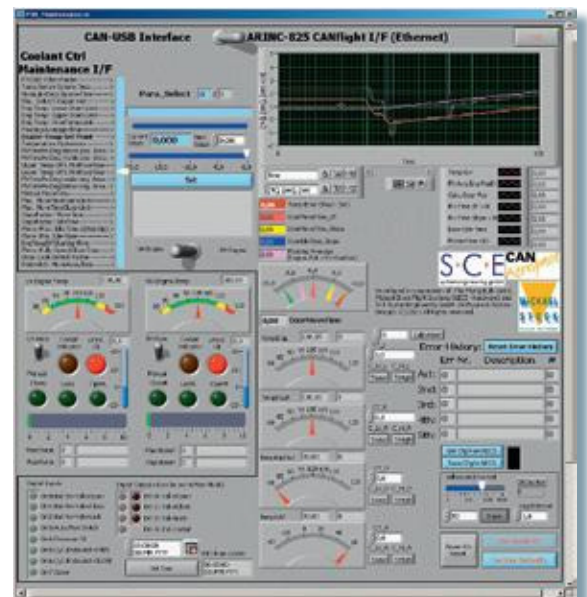
It's no longer a secret, that SCE has years of experience with 3D motion. Therefore, the evolution of a precise realtime controlled robot is not too far away. What distinguishes this robot from other robots? It „sees“ what it does. Equipped with image recognition systems and a flexible gripper, it allows the „ViRob“ from Robomat to install parts supplied as bulk material at the right spot. The time-consuming process of sorting by hand is not necessary any more. The motion control software from SCE is implemented successfully at MACO Salzburg/ Austria, the market leading manufacturer of window- and door-fittings. And there the ViRob mounts special door locks today as precise as at the first day at work.



SCE and the Royal Airforce

Not only flight enthusiast know the United Kingdom's Royal Air Force. Their Center of Aviation Medicine, confirmed excellent work in writing to the Managing Director Mr. Scharfetter, and also the Austrian Federal Army got interested. In addition to the flight simulation in this project the primary task was to develop a software to improve the RAF's „Spatial Disorientation Training.“ The intention was to find out how the pilot realises his movement in space. It enables to train the pilot's perception of the aircraft attitude under certain circumstances. In this case with the support of SCE, as the confirmation of the RAF approves.

Airborne Closed Loop Control



Maintenance software for avionic engineers. For diagnostics, calibration, parameterisation and error history.

SCE SystemEngineering GmbH
Berchtesgadner Straße 13
A-5020 Salzburg, AUSTRIA

Phone +43 (0) 664 / 51 55 126
Fax +43 (0) 662 / 82 76 74
office@sce.co.at www.sce.co.at

SCE
systemengineering gmbh

About Us

SCE SystemEngineering GmbH

Your Partner for Simulation

What we do:

As a manufacturer of simulation systems, flight simulators are part of our product range as well as complex robotic motion simulation in 3D space, where position accuracy is only limited by the physical performance of the electrical and mechanical components.

Furthermore, we also develop software to control energy savings. For your challenging requirements we offer complete solutions for hardware and software including IPMA (International Project Management Association) certified project-management. Please contact us, we would be glad to present you our wide range of interesting projects we've accomplished. Beside well known companies and institutions our customers are: flying schools, entertainment parks, booth builders or companies who use our simulator as an eye-catcher for exhibitions or events.

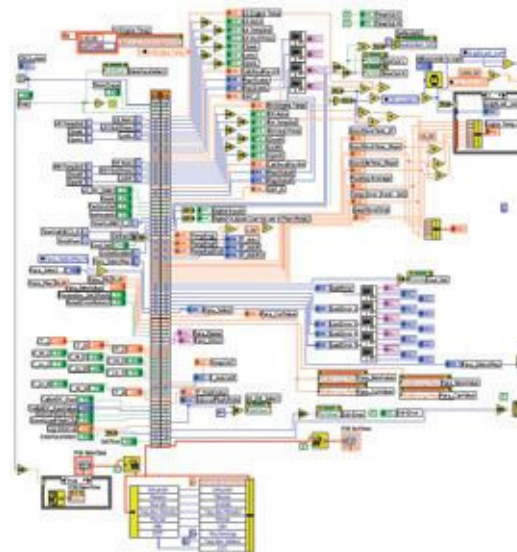
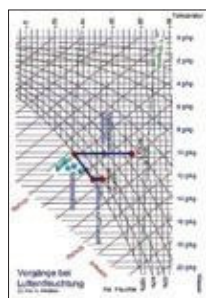
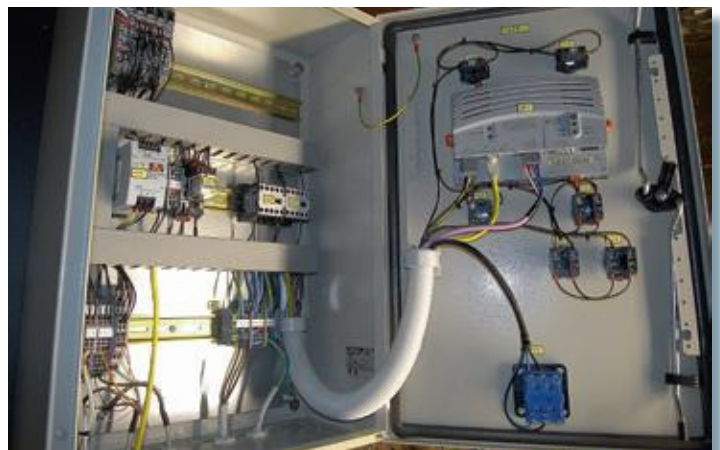
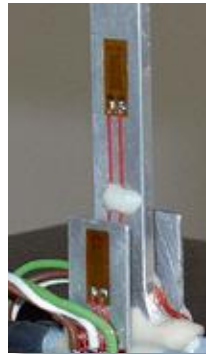
Through our extensive experience in engineering of hard- and software and our network of proficient partners we provide individual solutions for avionics, aviation psychology and industrial automation.

Who we are:

SCE was established by Ing. Martin Scharfetter 2004 in Salzburg, the famous city of Mozart. SCE is a small, privately owned and well-networked company. Martin Scharfetter has long-term experience in planning and realisation of projects in the aeronautical sector, flight simulation, as well as robotics in 3D space and measurement technology.

Our expertise:

It is our challenge to fulfil complex tasks as simple as possible. To achieve this we perform in extensive research and comparison of available alternatives. So it is possible for us to keep the project-related costs for new developments to a minimum. This requires sound and up to date knowledge and we stay in touch with the latest trends. Continuous education, market research, the timely recognition of trends, enlivened communication in our team and with the customer are the pillars for long-term success.



SCE SystemEngineering GmbH
Berchtesgadener Straße 13
A-5020 Salzburg, AUSTRIA

Tel. +43 (0) 664 / 51 55 126
Fax +43 (0) 662 / 82 76 74
office@sce.co.at www.sce.co.at

SCE
systemengineering gmbh